



PARTS LIST

EZ21



Copyright to all intellectual property, images and text, within this drawing belong to ADAMAS BV and may not be reproduced or used for any commercial purposes whatsoever without the written permission of ADAMAS BV

Rail grinding system EZ21

Date : 2-3-2010

Created : E. den Blijker

Revision : A

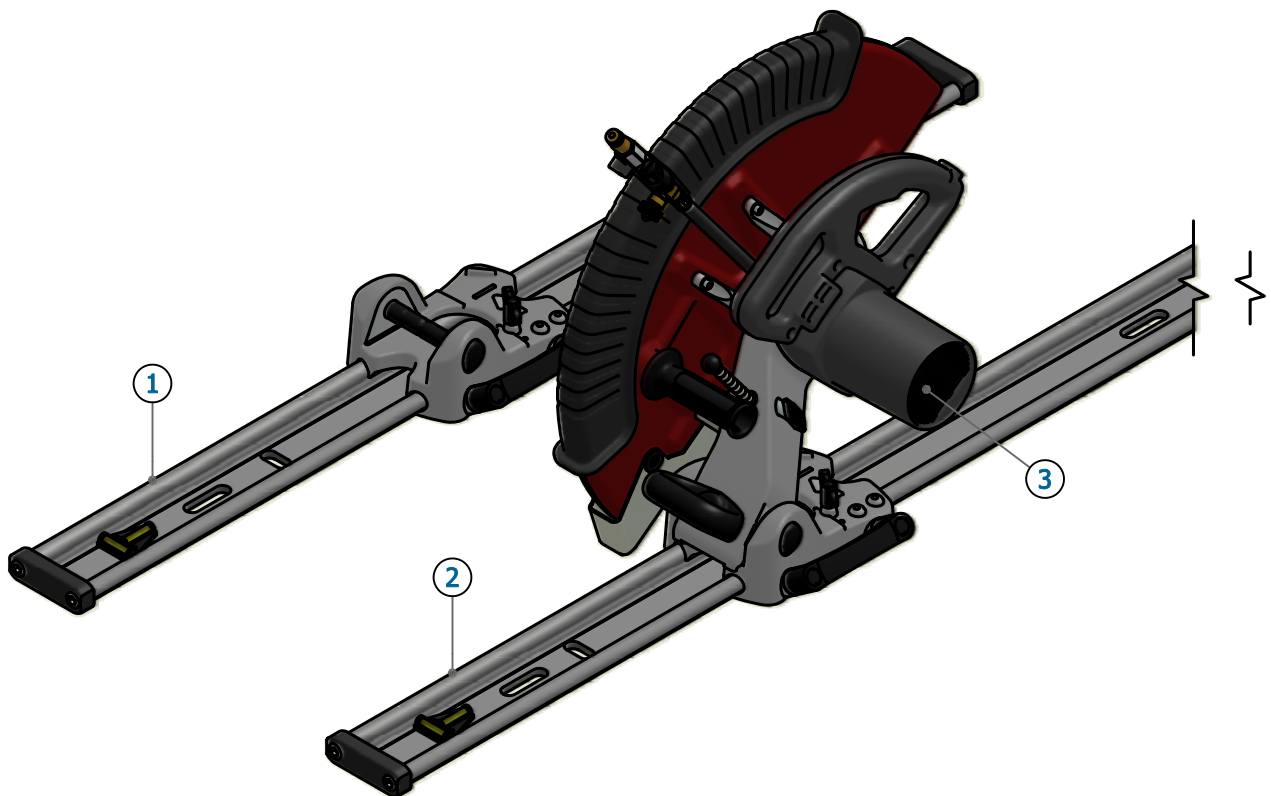
Adamas

NH20000A

Page 1 of 1

Parts List

| ITEM | QTY | PART NUMBER | DESCRIPTION | REVISION |
|------|-----|-------------|--------------------------|------------|
| 1 | 1 | NH20000R1 | Geleidesysteem 1,3m EZ21 | |
| 2 | 1 | NH20000R2 | Geleidesysteem 2,3m EZ21 | |
| 3 | 1 | NH20000CA | Slijpunit EZ21 | 02-03-2010 |





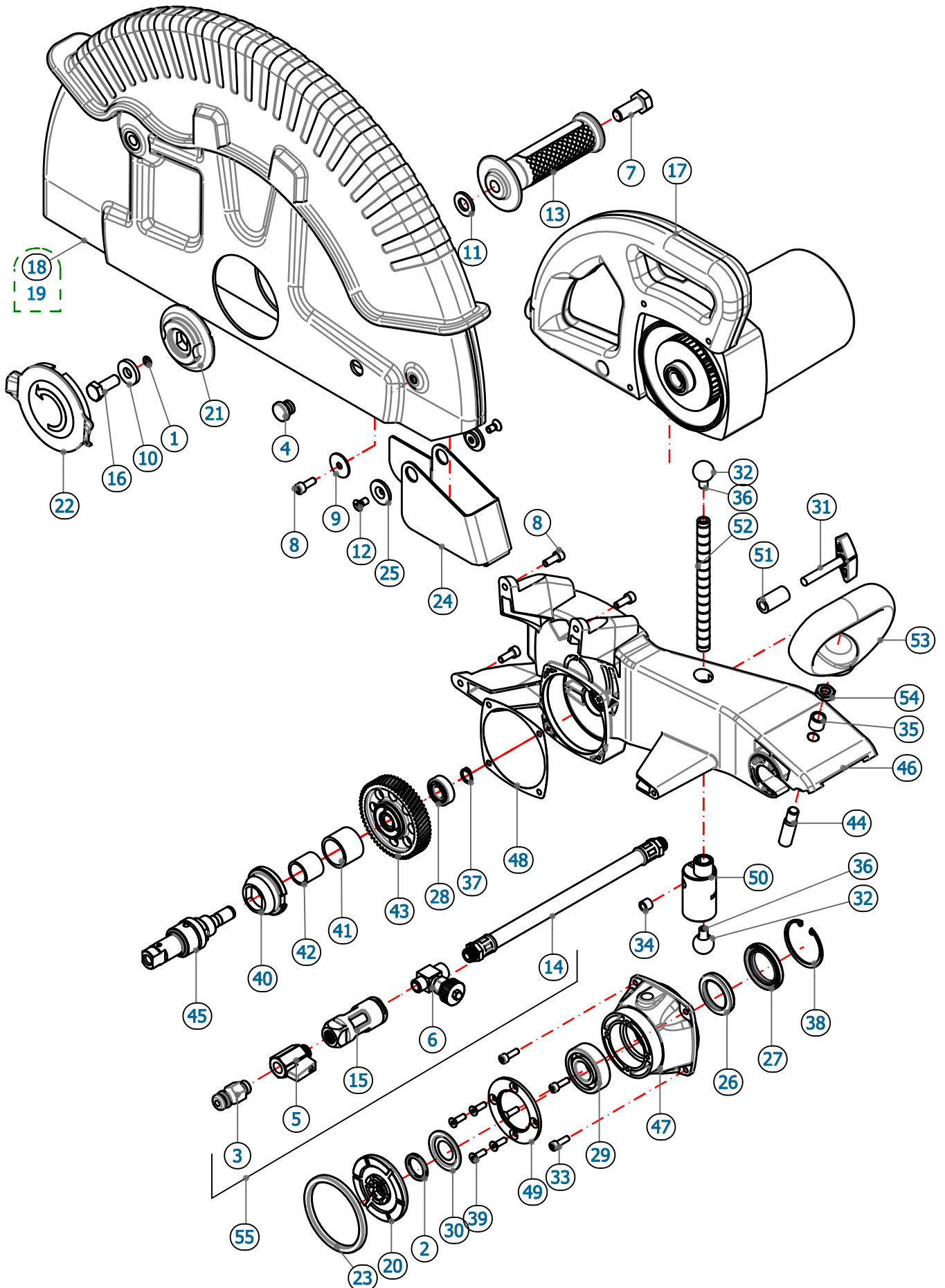
Copyright to all intellectual property, images and text, within this drawing belong to ADAMAS BV and may not be reproduced or used for any commercial purposes whatsoever without the written permission of ADAMAS BV

Date : 3-11-2010
Created : E. den Blijker
Revision : G

Slijpunit EZ21

NH20000CA

Page 1 of 2





Copyright to all intellectual property, images and text, within this drawing belong to ADAMAS BV and may not be reproduced or used for any commercial purposes whatsoever without the written permission of ADAMAS BV

Date : 3-11-2010
 Created : E. den Blijker
 Revision : G

Slijpunit EZ21

NH20000CA

Page 2 of 2

Parts List

| ITEM | QTY | PART NUMBER | DESCRIPTION | REVISION |
|------|-----|-------------|--|------------|
| 1 | 1 | E4006A | O-Ring | 30/11/2009 |
| 2 | 1 | E4020C | Quadring | |
| 3 | 1 | F2015 | GARDENA Universal Adapter G1/4" | |
| 4 | 1 | F41295 | Cover | |
| 5 | 1 | F43340 | Valve | |
| 6 | 1 | F43341 | Flow Adjustment 1/4" Bu/Bi | |
| 7 | 1 | FB2030 | Hex-Head Bolt | |
| 8 | 4 | FBC816 | Cylinder Head Cap Screw | 24/11/2009 |
| 9 | 1 | FS06C1 | Washer | |
| 10 | 1 | FS10Z | Washer | |
| 11 | 1 | FS12 | Washer | |
| 12 | 2 | FZ0612 | Countersunk screw | |
| 13 | 1 | N14027 | Grip | |
| 14 | 1 | N14081 | Waterhose | |
| 15 | 1 | N14082 | Flow Indicator Black | |
| 16 | 1 | NH1101 | Bolt (metric fine 10.9) | |
| 17 | 1 | NH20000MA | Motor EZ21 | |
| 18 | 1 | NH20017A | Cover Ø540 (ADAMAS) | |
| 19 | 1 | NH20017AC | Cover Ø540 Assembly (Incl. pos : 4,7,8,9,11,12,13,18,22,24,25) | 08/06/2010 |
| 20 | 1 | NH20020 | Main Flange Ø30mm | |
| 21 | 1 | NH20021 | Locking Flange | |
| 22 | 1 | NH20025 | Cover | |
| 23 | 1 | NH20026 | Spacer Seal | |
| 24 | 1 | NH20032 | Spray Control | |
| 25 | 2 | NH20033 | Clamping Sleeve | |
| 26 | 1 | E30A30 | Shaft Seal Ring | |
| 27 | 1 | E30A32 | Shaft Seal Ring | |
| 28 | 1 | EA018A | Deep groove ball bearings | |
| 29 | 1 | EA044A | Bearing | |
| 30 | 1 | EXR103 | Metal Shield | |
| 31 | 1 | F40015 | Wing Nut | 01-03-2010 |
| 32 | 2 | F40131 | kogelknop M8 | 01-03-2010 |
| 33 | 4 | FBC716 | Hexagon Socket Head Cap Screw | |
| 34 | 1 | FG0808 | Threaded Insert | 01-03-2010 |
| 35 | 1 | FG1212 | Threaded Insert | |
| 36 | 2 | FI0825 | Hexagon Socket Set Screw | 01-03-2010 |
| 37 | 1 | FR012 | Spring Retaining Ring | |
| 38 | 1 | FR147 | Retaining ring | |
| 39 | 4 | FV6016 | Hexagon Socket Countersunk Head Screw | |
| 40 | 1 | NH1120 | Slip Lock | |
| 41 | 1 | NH1122 | Clutch Spring (Large) | 24/11/2009 |
| 42 | 1 | NH1123 | Clutch Spring (Small) | 24/11/2009 |
| 43 | 1 | NH1124ZW | Gear M5143 | |
| 44 | 1 | NH20006 | Locking Shaft | 27/01/2010 |
| 45 | 1 | NH20007 | Main Shaft | |
| 46 | 1 | NH20013 | Gearbox | 01-03-2010 |
| 47 | 1 | NH20016 | Gearbox Cover | |
| 48 | 1 | NH20019 | Gasket | |
| 49 | 1 | NH20029 | Coverplate | |
| 50 | 1 | NH20037 | Clamping Bus | 01-03-2010 |
| 51 | 1 | NH20038 | Bushing | 01-03-2010 |
| 52 | 1 | NH20039 | Rod (depth) | 01-03-2010 |
| 53 | 1 | NH20041 | Grip (M10) | 24/11/2009 |
| 54 | 1 | FM10P | Hex Nut | 20-05-2010 |
| 55 | 1 | NH20080 | Waterhose Assembly | 03-11-2010 |



Copyright to all intellectual property, images and text, within this drawing belong to ADAMAS BV and may not be reproduced or used for any commercial purposes whatsoever without the written permission of ADAMAS BV

Geleidesysteem 1,3m EZ21

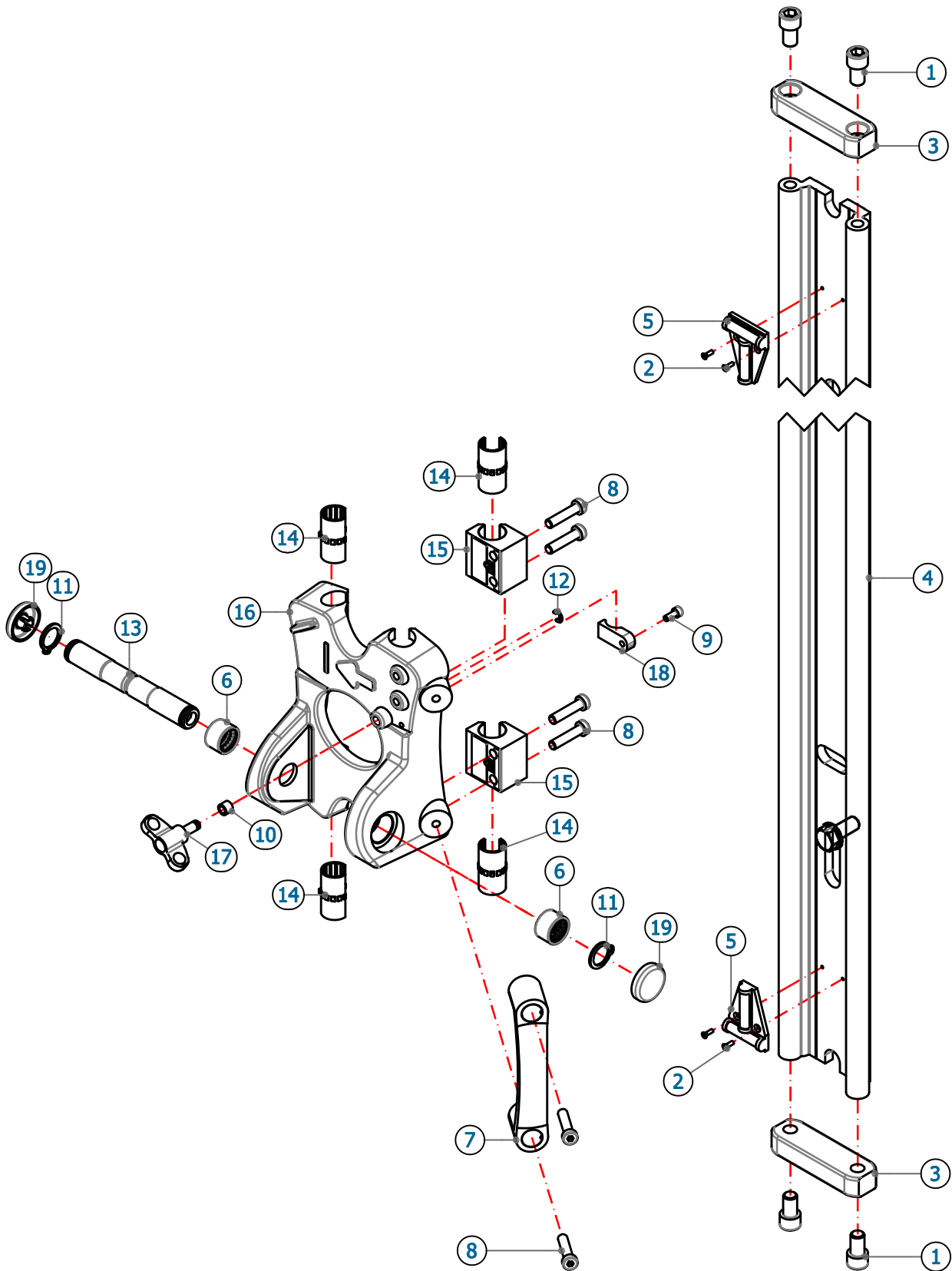
Date : 3-11-2009

Created : E. den Blijker

Revision :

NH20000R1

Page 1 of 6





Copyright to all intellectual property, images and text, within this drawing belong to ADAMAS BV and may not be reproduced or used for any commercial purposes whatsoever without the written permission of ADAMAS BV

Geleidesysteem 1,3m EZ21

Date : 3-11-2009

Created : E. den Blijker

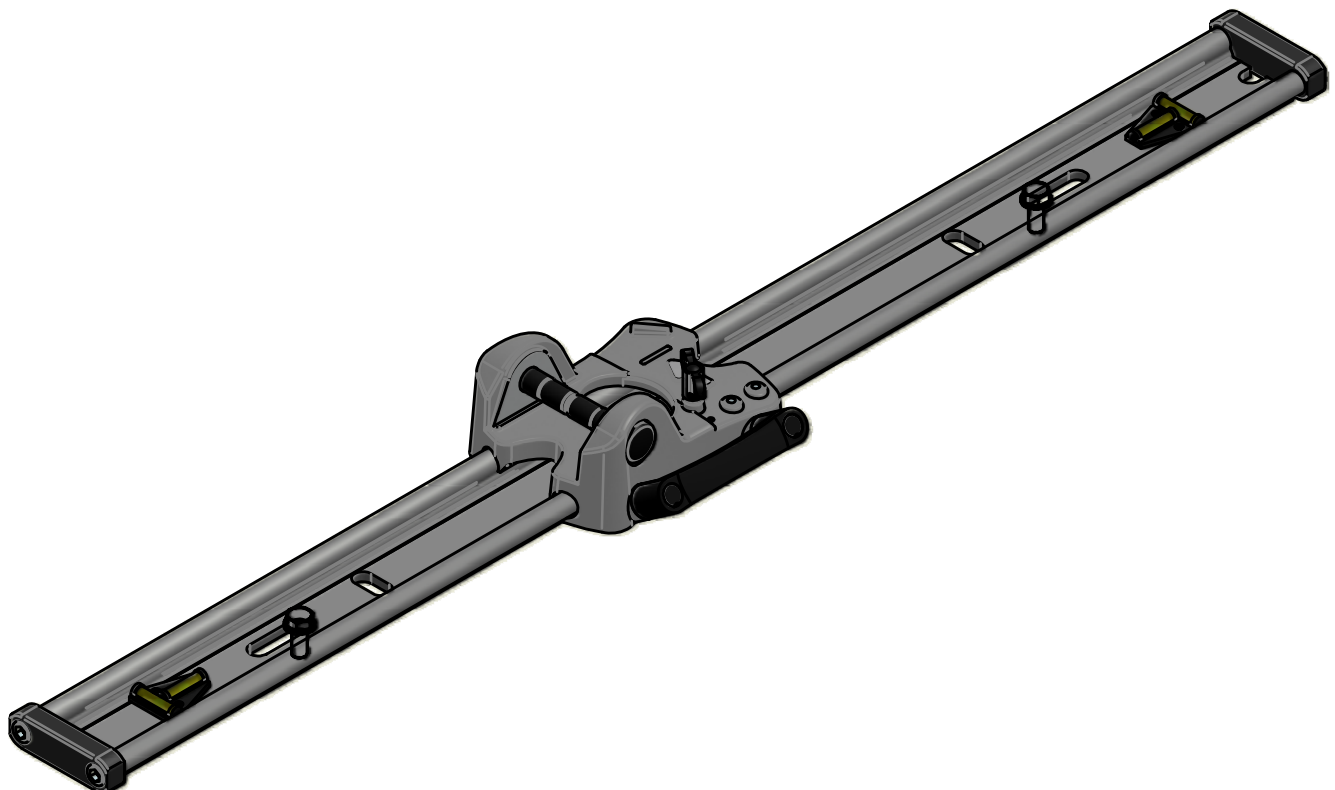
Revision :

NH20000R1

Page 2 of 6

Parts List

| ITEM | QTY | PART NUMBER | DESCRIPTION |
|------|-----|-------------|-------------------------------|
| 1 | 4 | FA2020 | Hexagon Socket Head Cap Screw |
| 2 | 4 | FZ0310 | Countersunk Flat Head Screw |
| 3 | 2 | NH20002 | End Stop |
| 4 | 1 | NH20003 | Guide 1,3 meter |
| 5 | 2 | NH20005 | Spirit Level |
| 6 | 2 | EB030B | Needle Bearing |
| 7 | 1 | F40418 | Bridge Handle |
| 8 | 6 | FBB835 | Cylinder Head Cap Screw |
| 9 | 1 | FBC712 | Cylinder Head Cap Screw |
| 10 | 1 | FG0808 | Threaded Insert |
| 11 | 2 | FR020 | Spring Retaining Ring |
| 12 | 1 | FR205 | Retaining Washer |
| 13 | 1 | NH20008 | Locking Shaft |
| 14 | 4 | NH20009 | Sliding Bush |
| 15 | 2 | NH20010 | Sliding Block |
| 16 | 1 | NH20011 | Sliding Base |
| 17 | 1 | NH20012 | Wing nut |
| 18 | 1 | NH20014 | Clamp |
| 19 | 2 | NH20015 | Shaft Cover |





Copyright to all intellectual property, images and text, within this drawing belong to ADAMAS BV and may not be reproduced or used for any commercial purposes whatsoever without the written permission of ADAMAS BV

Geleidesysteem 2,3m EZ21

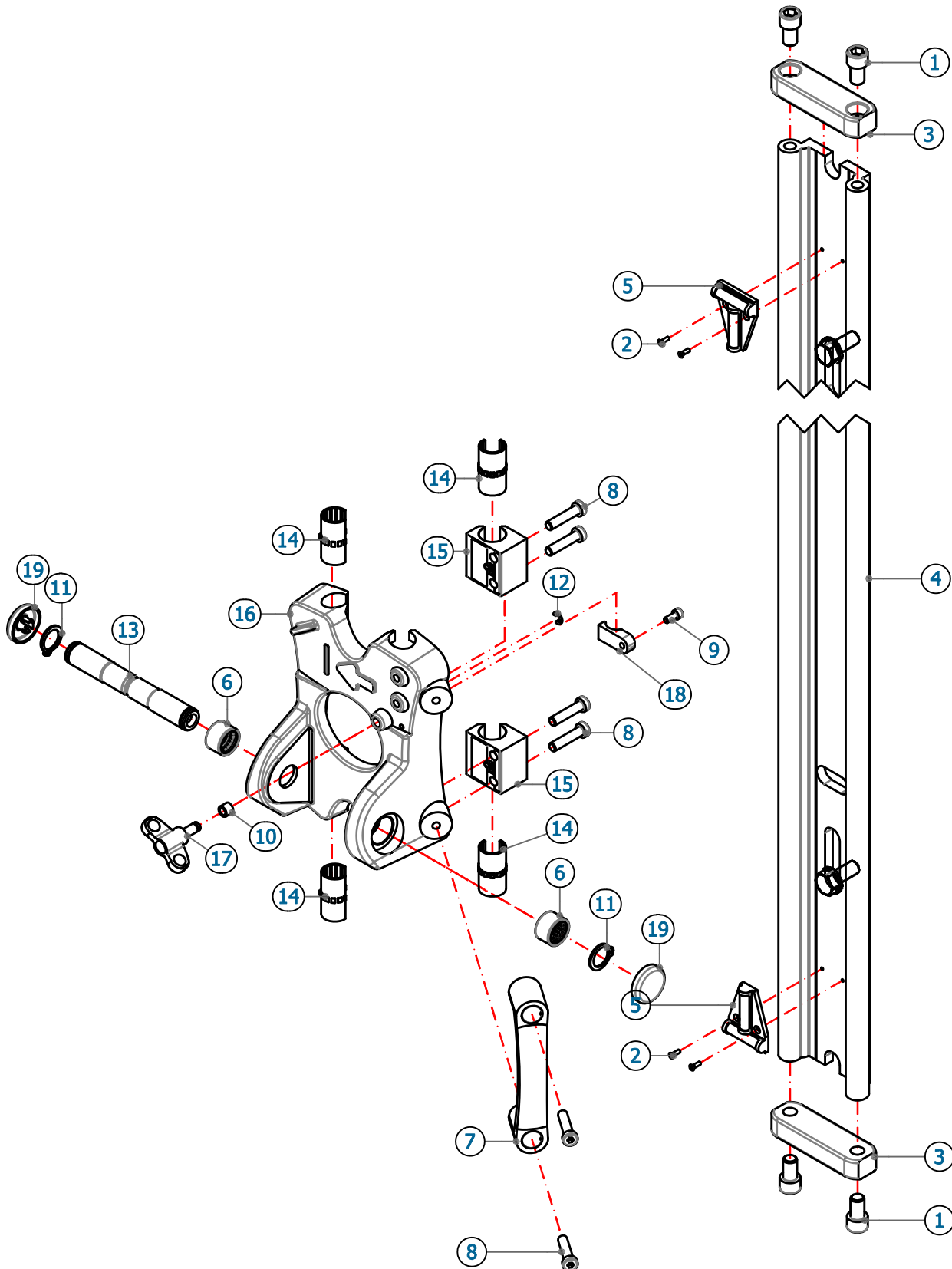
Date : 3-11-2009

Created : E. den Blijker

Revision :

NH2000R2

Page 1 of 6





Copyright to all intellectual property, images and text, within this drawing belong to ADAMAS BV and may not be reproduced or used for any commercial purposes whatsoever without the written permission of ADAMAS BV

Geleidesysteem 2,3m EZ21

Date : 3-11-2009

Created : E. den Blijker

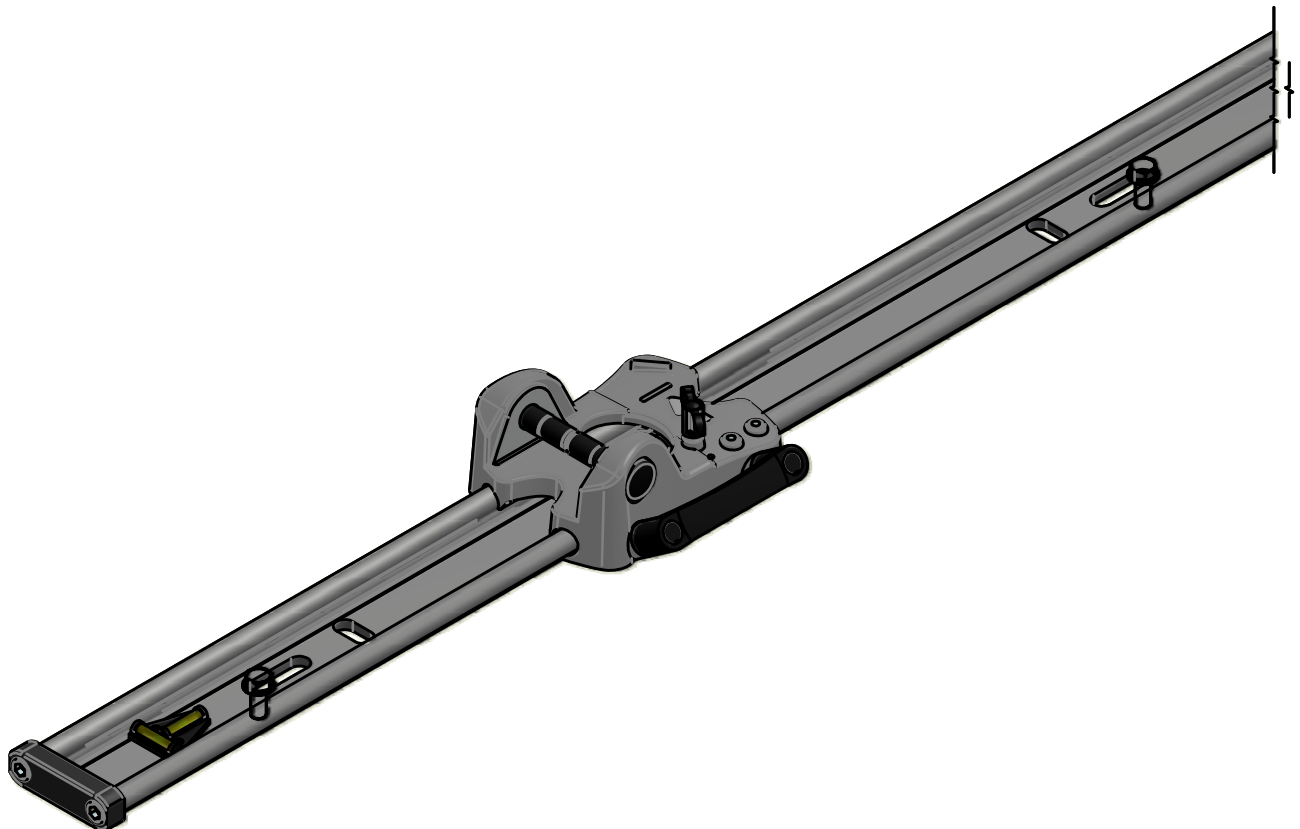
Revision :

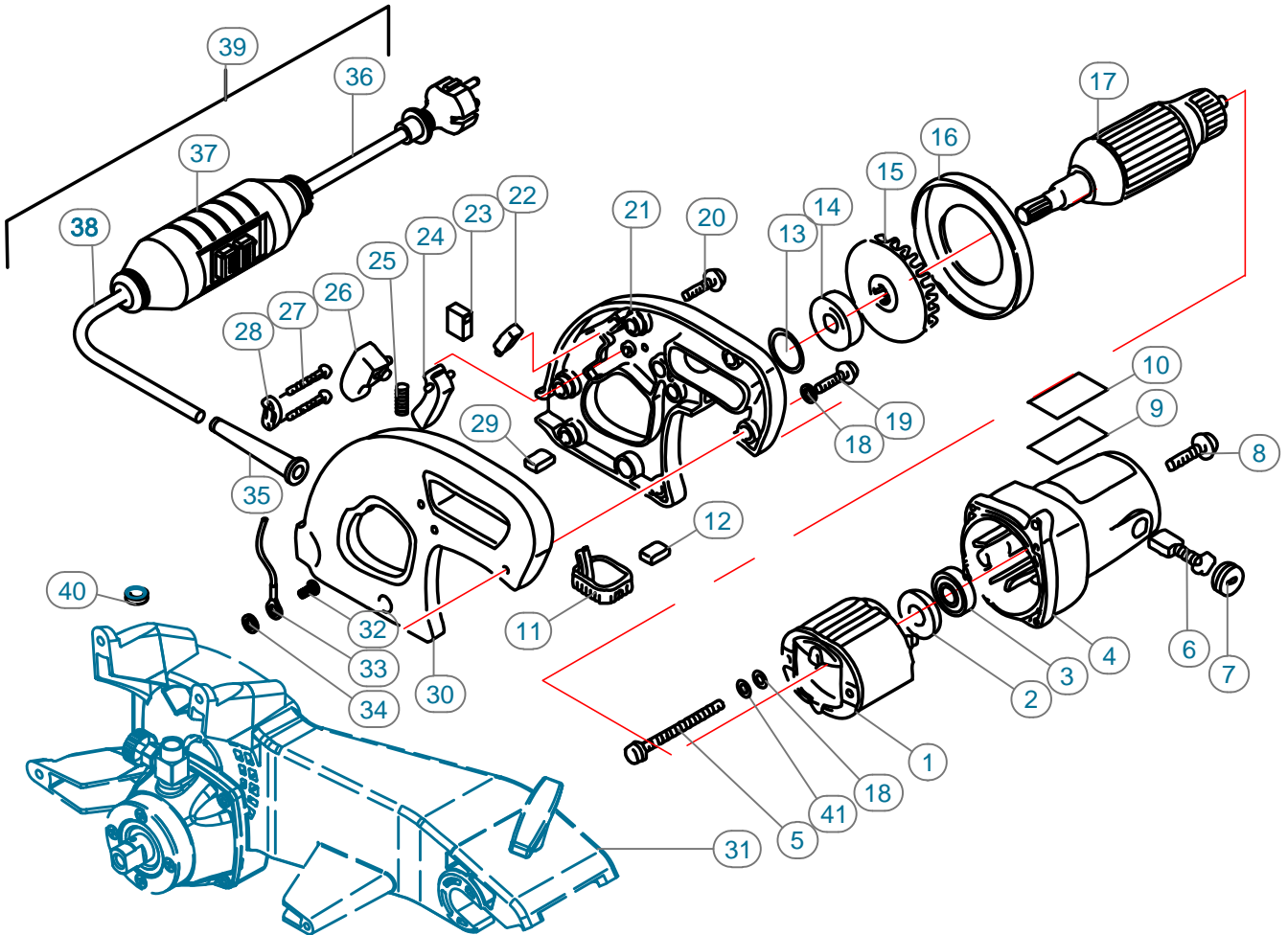
NH2000R2

Page 2 of 6

Parts List

| ITEM | QTY | PART NUMBER | DESCRIPTION |
|------|-----|-------------|-------------------------------|
| 1 | 4 | FA2020 | Hexagon Socket Head Cap Screw |
| 2 | 4 | FZ0310 | Countersunk Flat Head Screw |
| 3 | 2 | NH20002 | End Stop |
| 4 | 1 | NH20004 | Guide 2,3 meter |
| 5 | 2 | NH20005 | Spirit Level |
| 6 | 2 | EB030B | Needle Bearing |
| 7 | 1 | F40418 | Bridge Handle |
| 8 | 6 | FBB835 | Cylinder Head Cap Screw |
| 9 | 1 | FBC712 | Cylinder Head Cap Screw |
| 10 | 1 | FG0808 | Threaded Insert |
| 11 | 2 | FR020 | Spring Retaining Ring |
| 12 | 1 | FR205 | Retaining Washer |
| 13 | 1 | NH20008 | Locking Shaft |
| 14 | 4 | NH20009 | Sliding Bush |
| 15 | 2 | NH20010 | Sliding Block |
| 16 | 1 | NH20011 | Sliding Base |
| 17 | 1 | NH20012 | Wing nut |
| 18 | 1 | NH20014 | Clamp |
| 19 | 2 | NH20015 | Shaft Cover |







DESCRIPTION
MOTOR EZ21

TYPE

NH20000MA

PUBLISHED 13-10-2009 REVISION A
DRAWN E. den Blijker

DOCUMENT No NH20000MA
PAGE 2 of 2

| Item | Qty | Name | Description | Revision Date |
|------|-----|----------|--------------------------|---------------|
| 1 | 1 | NH1165ZW | Field | |
| 2 | 1 | NH1172 | Isolation ring | |
| 3 | 1 | EA007E | Roller Bearing | |
| 4 | 1 | NH1170ZW | Motorhousing | |
| 5 | 2 | FZ4290 | Head Cap Screw | |
| 6 | 2 | NH1169 | Brush CB-203 | |
| 7 | 2 | NH1168 | Brushholder Cap | |
| 8 | 4 | NH1167 | Combi-screw | |
| 9 | 1 | | Serial Plate (EZ21) | |
| 10 | 1 | N140281 | Protection | |
| 11 | 1 | NH1138 | Electronic | |
| 12 | 1 | NH1137A | Condensator | |
| 13 | 1 | E4032B | O-ring | |
| 14 | 1 | EA026C | Roller Bearing | |
| 15 | 1 | NH1161 | Vin | |
| 16 | 1 | NH1162 | Aircover | |
| 17 | 1 | NH1163ZW | Armature (Incl. Pos 2,3) | |
| 18 | 5 | FS05 | Washer | |
| 19 | 3 | FBC735 | Bolt | |
| 20 | 4 | FF1425 | Screw | |
| 21 | 1 | NH1132 | Grip (Left & Right) | |
| 22 | 1 | NH1133 | Safetyknob | |
| 23 | 1 | NH1136A | Switch Motorbreak | |
| 24 | 1 | NH1135 | Switch Knob | |
| 25 | 1 | NH1134 | Spring | |
| 26 | 1 | NH1136 | Switch | |
| 27 | 2 | NH1144 | Screw | |
| 28 | 1 | NH1145 | Cableclamp | |
| 29 | 1 | NH1137 | Condensator | |
| 30 | 1 | | See Pos 21 | |
| 31 | 1 | NH20013C | Gearbox (Assembly) | |
| 32 | 1 | FZ4110 | Screw | |
| 33 | 1 | 6C6031 | Ground Cable | |
| 34 | 2 | FV04TV | Toothed Lock Washer | |
| 35 | 1 | NH1146 | Tule | |
| 36 | 1 | 6C6026 | Electrocable | |
| 37 | 1 | 9Q2024 | Personal Safety switch | |
| 38 | 1 | 6C6033 | Electrocable | |
| 39 | 1 | 6C6024 | Cable Ass. Black | |
| 40 | 1 | F41294 | Cover | |
| 41 | 2 | FV05S | Spring Lock Washer | |



Copyright to all intellectual property, images and text, within this drawing belong to ADAMAS BV and may not be reproduced or used for any commercial purposes whatsoever without the written permission of ADAMAS BV

Rails Extension Set

Date : 3-3-2010

Created : E. den Blijker

Revision :

NH20040SET

Page 1 of 1

Parts List

| ITEM | QTY | PART NUMBER | DESCRIPTION | REVISION |
|------|-----|-------------|-------------------------------|----------|
| 1 | 2 | NH20040C | Extension Block assembly | A |
| 2 | 4 | FA2020 | Hexagon Socket Head Cap Screw | |
| 3 | 1 | G1034 | Hex Key 10 | |

